

Data Sheet Inkjet Head I3200(8) Series



PRECISIONCORE

1. PrecisionCore Technology

- a. MEMS manufacturing and thin film piezo technology enable high precision and a high nozzle density, creating compact, high-speed, high-quality print heads with excellent image quality.
- b. Epson's unique precision MEMS nozzles and ink flow path, ensure that perfectly round ink droplets are placed accurately and consistently.

2. Support for grey scale

Epson's unique Variable Sized Droplet Technology (VSDT) delivers smooth graduations by ejecting droplets of different volumes.

3. High resolution

With up to 1200 nozzles per inch (when using two colours), the I3200(8)-A1HD has a higher nozzle resolution than the existing I3200(4)-A1, enabling it to deliver high-definition images in a compact size without sacrificing the characteristic usability of the I series.

4. 8 ink supply channels

With up to 8 rows of ink supply channels, more free colours configuration is possible. By arranging the same colours in the vicinity, the accuracy of placement is improved and more high-definition image quality is realized.

5. High durability

PrecisionCore print heads have proven durability and extended service life demonstrated by Epson's own industrial printers.

6. Single Pass

With these features, single-pass printing for applications such as packaging / commercial printing / transactions, which require high speed and high accuracy, can be realized more easily.

7. Compatible with wide range of inks

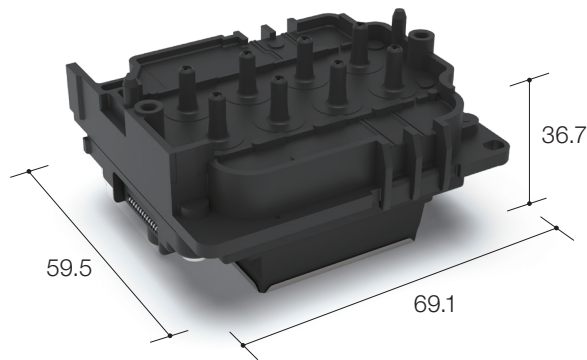
Having two types of printhead in the I3200(8) Series supports a wide range of inks for a variety of industrial applications. The A1HD is compatible with aqueous inks and the S1HD is compatible with UV, Eco-Solvent, oil and solvent inks.

Product Specifications

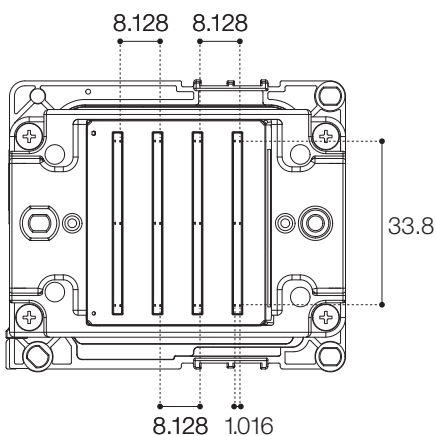
Product name		I3200(8)-A1HD	I3200(8)-S1HD
Ink type		Aqueous	UV / Eco Solvent / Oil / Solvent
Type		PrecisionCore MicroTFP printhead	
Width x Depth x Height *		69.1 x 59.5 x 36.7 mm	
Weight *		78 g	82 g
Number of nozzle		3200	
Nozzle pitch / nozzle row		1/300 inch	
Nozzle rows		8 rows	
Nozzle Resolution		300npi/row, 600npi/2 rows, 1200npi/4rows	
Max. number of colour inks		8 colours	
Effective print width		33.8 mm (1.33 inches)	
Droplet ejection performance *	Binary	6 pl at 43.2 kHz	5 pl at 43.2 kHz
	3 levels greyscale	6.3, 12.3 pl at 21.6 kHz	6, 12.5 pl at 21.6 kHz
	4-level greyscale	3.8, 6.1, 9.4 pl at 21.6 kHz	3.5, 6.3, 12 pl at 12 kHz
Viscosity range *		2.2-3.8 mPa·s	6.0-7.0 mPa·s
Ink recirculation		Not available	
Internal heater		Not available	
Positioning Mechanism		Reference hole	

*Figures are reference values

Product size (mm)



Nozzle (mm)



External dimensions (mm)

